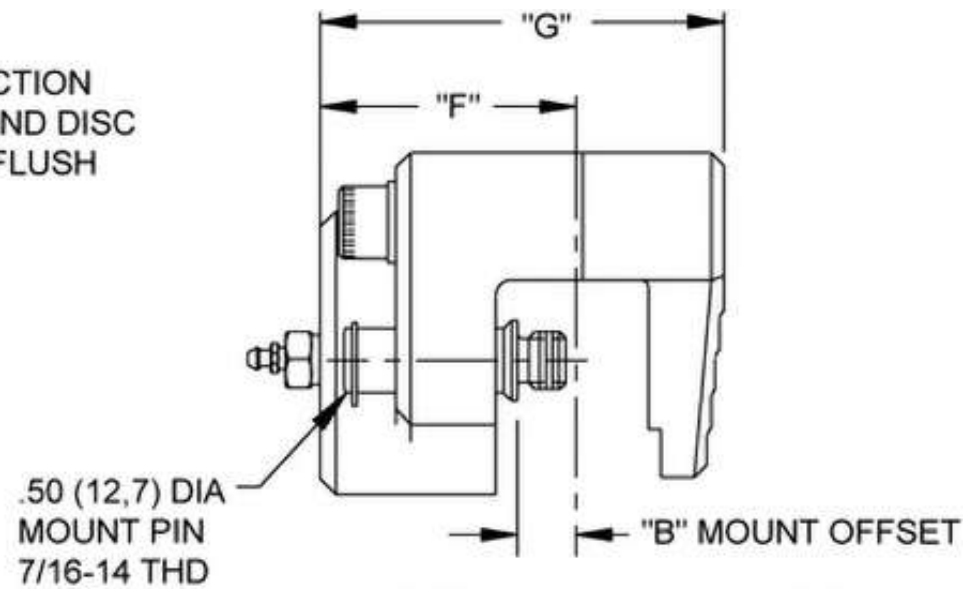


DIMENSION "D1" =
 (DISC DIAMETER/2) - .81 (20,7)



DISC DIAMETER	"E" OUTSIDE RADIUS
10.00 (254,5)	5.91 (150,0)
10.25 (260,4)	6.03 (153,1)
10.50 (266,7)	6.15 (156,2)
11.00 (279,4)	6.39 (162,4)

DISC WIDTH	"B" MOUNT OFFSET	"F" INBOARD WIDTH	"G" CALIPER WIDTH
.25 (6,4)	.66 (16,6)	2.01 (50,9)	3.15 (80,0)
.38 (9,6)	.70 (17,8)	2.05 (52,1)	3.24 (82,3)